

Spare Parts List

2 Posts Lift

Model OSA3500N

(Standard Model with Asymmetric Arms)

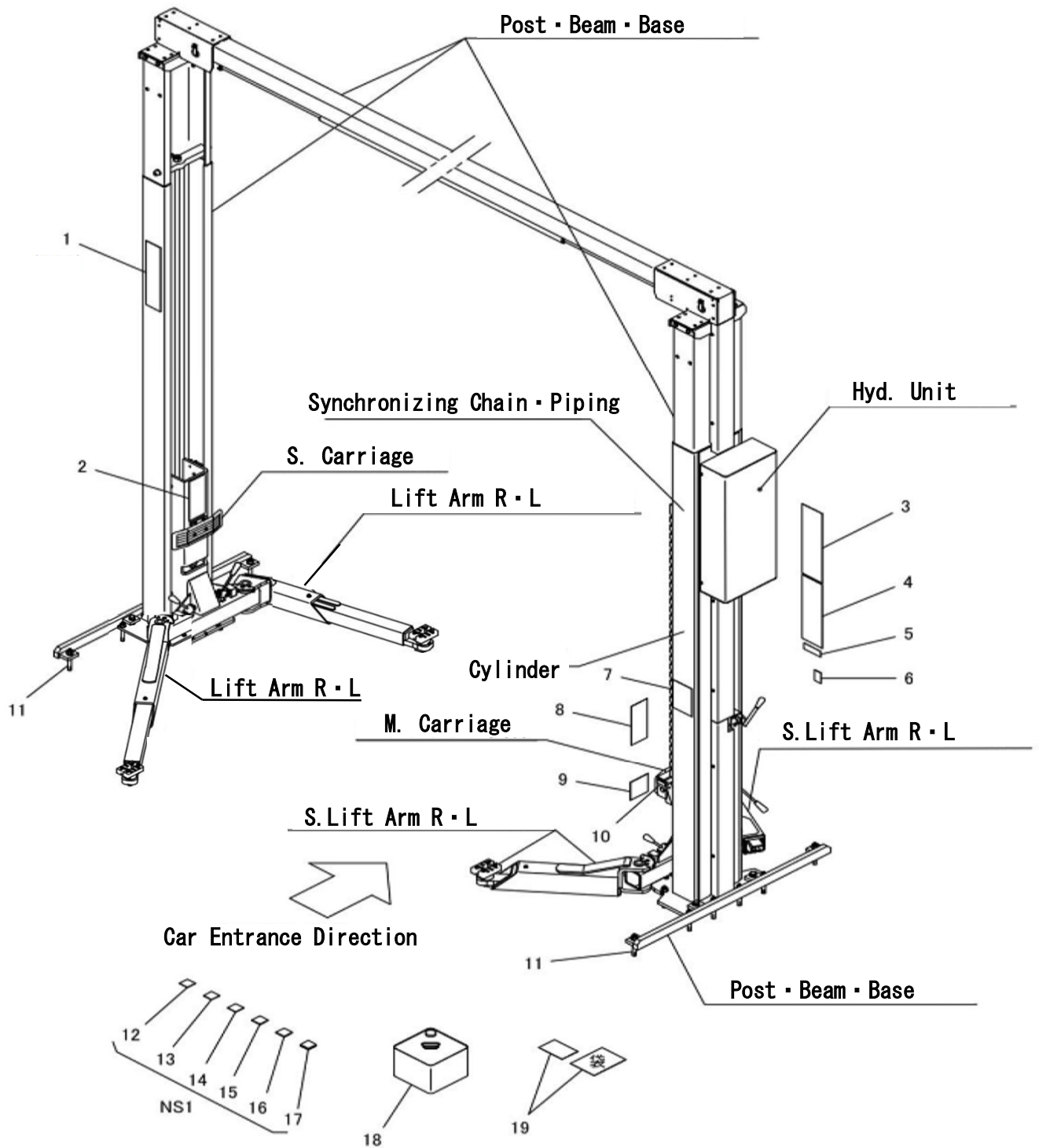
Production Year - April 2016~

(Without Pricing)

Contents

	(Page)
Contents	1)
1 Overall View	2) ~ 3)
2 Post, Beam & Base	4) ~ 5)
3 Cylinder	6) ~ 7)
4 Main Carriage Assy	8) ~ 9)
5 Sub Carriage Assy	10) ~ 11)
6 Hyd. Unit and Control etc.	12) ~ 15)
7 Synchronizing Chain and Piping	16) ~ 17)
8 Lift Arm R·L and Parts	18) ~ 19)
9 S. Lift Arm R·L and Parts	20) ~ 21)
10 History and Applicable Adjustable Supporter Assy (Information for Reference Only)	22) ~ 23)
11 Optional Frame Attachment (Truck Adaptor)	24) ~ 25)
12 Caution Labels	26)

Overall View

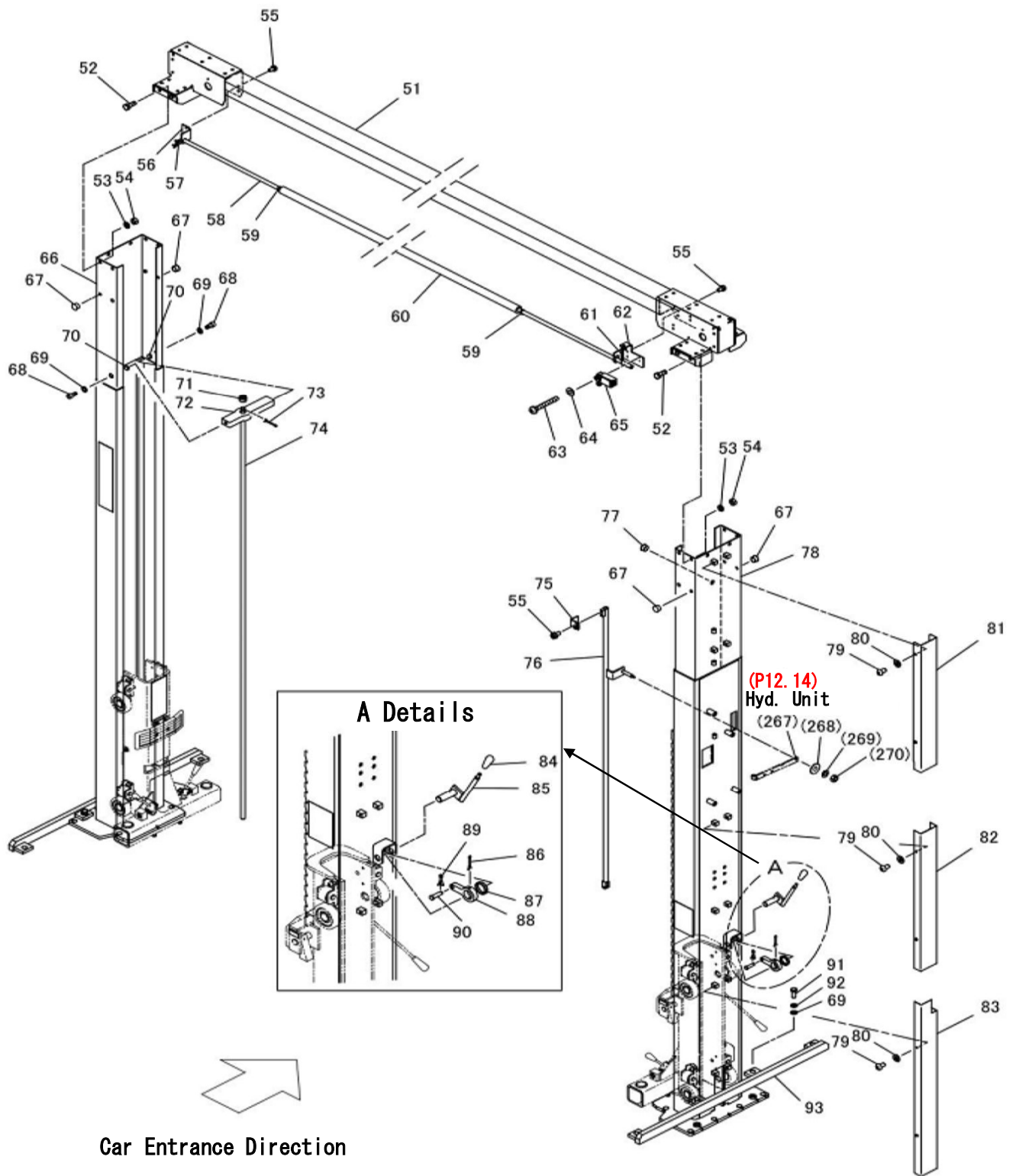


Overall View

OSA3500N

Ill. No.	Parts No.	Parts Name	Standard	Change Date & Note	Qty /Unit	Price/ea.
NS1	10163782	Shim Set	(12~17)		1 set	
1	51311024	Bishamon Label	Refer to Page 26		1	
2	11261840	Caution Label G	Refer to Page 26		1	
3	11261900	Caution Label M	Refer to Page 26		1	
4	11261880	Caution Label I	Refer to Page 26		1	
5	Ask	Serial Plate	Ask Bishamon		1	Ask
6	51311420	Function Sticker D	Refer to Page 26		1	
7	11261860	Caution Label H	Refer to Page 26		1	
8	11261820	Caution Label F	Refer to Page 26		1	
9	11261920	Caution Label	Refer to Page 26		1	
10	51311400	Function Sticker C	Refer to Page 26		1	
11	91011612	Anchor Bolt	AAC-1612		16	
12	10163711	Shim (0.8mm)	0.8 X 50 X 50		10	
13	10163721	Shim (1.6mm)	1.6 X 50 X 50		10	
14	10163731	Shim (3.0mm)	3.0 X 50 X 50		10	
15	10163741	Shim (4.5mm)	4.5 X 50 X 50		10	
16	10163751	Shim (6.0mm)	6.0 X 50 X 50		2	
17	10163761	Shim (9.0mm)	9.0 X 50 X 50		2	
18	50564841	Bishamon Oil (8L)	Option		1	
19	38000656	Chain & Cable Replacing Schedule Label			1	

Post, Beam & Base

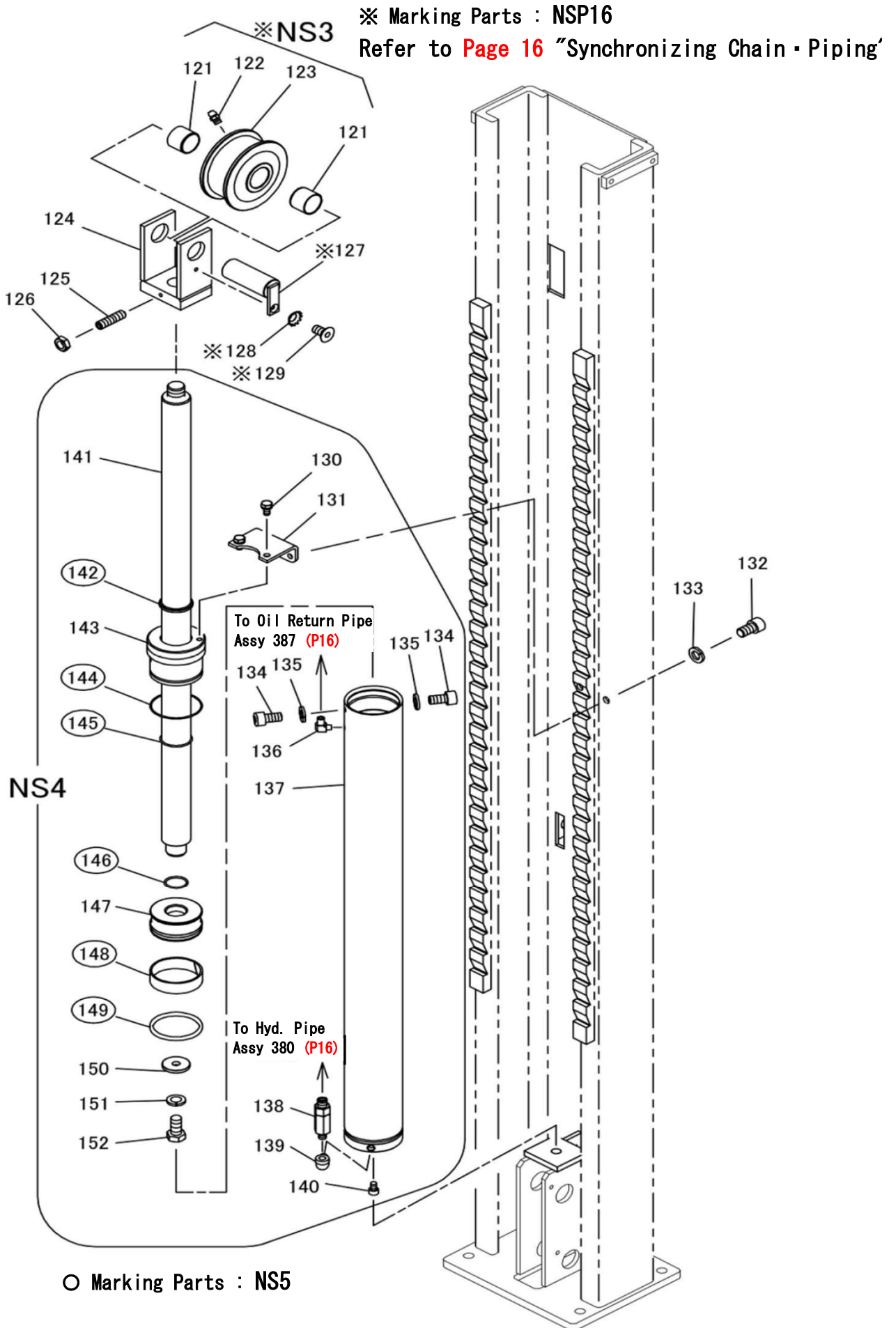


Post, Beam & Base

OSA3500N

Ill.No.	Parts No.	Parts Name	Standard	Change Date & Note	Qty /Unit	Price/ea. (J. Yen)
51	04543260	Post Beam			1	
52	90911230	Hex Bolt	HB1230SE		8	
53	90930512	Spring Washer	SW12SE		8	
54	90930112	Hex Nut	HN12SE		8	
55	90770815	Hex Bolt	HBS0815SE		6	
56	11250440	Sensor Stay A			1	
57	90973031	Cotter Pin	SP0330SE		2	
58	11253840	Roof Sensor Bar			1	
59	80825293	Plastic Strap	CV-200B (Black)		2	
60	11792920	Upper Limit Cushion Tube			1	
61	11793860	Sensor Spring			1	
62	11250460	Sensor Stay B			1	
63	90800430	Pan Head Screw	MSRS0430SE		2	
64	90930704	Flat Washer	PW04SE		2	
65	04552040	Upper Limit Switch Assy	D4N-2120	Omron	1	
66	N/A	S Post (Not Available because Post is structural parts)			1	N/A
67	98279126	Locking Hole Plug	0562		8	
68	90921630	Hex Socket Head Bolt	HSB1630		2	
69	90930716	Flat Washer	PW16SE		6	
70	11318820	Safety Bar Holder Collar			2	
71	90932120	Hex Nut	CN20P1.5SE		1	
72	11318800	Safety Bar Holder			1	
73	90974041	Cotter Pin	SP0440SE		1	
74	11320680	Safety Bar			1	
75	11315240	Rod Stopper			1	
76-1	04540120	Control Rod		Before 1703001	1	
76-2	04540121	Control Rod		After 1703002	1	
77	80821680	One Touch Bushing	GB-1520		1	
78	N/A	M Post (Not Available because Post is structural parts)			1	N/A
79	90940610	Pan Head Screw	MSR0610SE		12	
80	90930706	Flat Washer	PW06SE		12	
81	11249160	Chain Case 3			1	
82	11249140	Chain Case 2			1	
83	11249120	Chain Case 1			1	
84	50561801	Grip M10	M10P1.25 (Black)		1	
85	04541260	Control Shaft			1	
86	90975050	Cotter Pin	SP0550SE		1	
87	10161831	Control Shaft Collar			1	
88	11330510	Hook Release Plate			1	
89	90973016	Cotter Pin	SP0315SE		1	
90	11317380	Crank Pin			1	
91	90901644	Hex Bolt	HB1640-10.9		4	
92	90930516	Spring Washer	SW16SE		4	
93	04540220	Base			2	

Cylinder

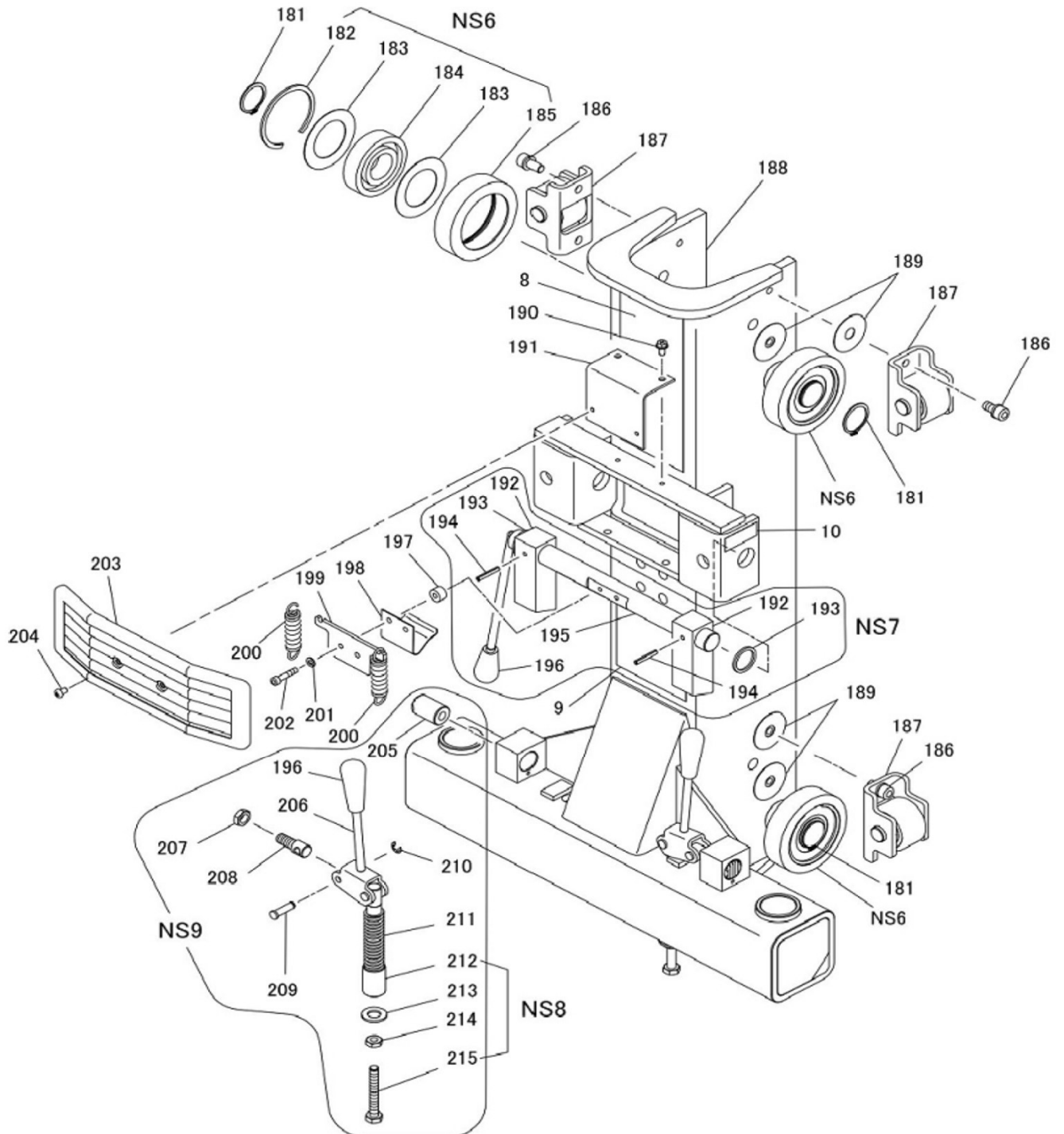


Cylinder

OSA3500N

Ill. No.	Parts No.	Parts Name	Standard	Change Date & Note	Qty /Unit	Price/ea.
NS3	00098410	Chain Wheel A Assy	(121~123)		1	
NS4	75103200	Cylinder Assy	(130·131·134~152)		1	
NS5	00043342	Seal Kit	(138·140·141·142·144·145)		1	
121	81640443	#80 Bushing			2	
122	80827006	Grease Fitting	GNAM6X0. 75		1	
123	N/A	Chain Wheel A	Replace by NS3		1	N/A
124	00099540	Chain Bracket			1	
125	90960830	Hex Socket Head Screw	HSS0830		1	
126	90930308	Hex Nut	HN08 (3) SE		1	
127	04540920	Chain Wheel Shaft			1	
128	90930958	Serrated Washer	TLWF08SE		1	
129	91000815	Hex Socket Head Bolt	HSF0815		1	
130	90891020	Hex Bolt	HBS1020SE		2	
131	11250480	Cylinder Clamper			1	
132	90921220	Hex Socket Head Bolt	HSB1220		2	
133	90930512	Spring Washer	SW12SE		2	
134	90920815	Hex Socket Head Bolt	HSB0815		2	
135	90930508	Spring Washer	SW08SE		2	
136	80813906	90° Elbow	HS-E1-6X1/8		1	
137	N/A	Cylinder	Replace by NS4		1	N/A
138	80818559	Fuse Valve	FS1-02-M-30-0	(Shut Off Valve)	1	
139	80813102	Male & Female Elbow	HS-BC-1/4		1	
140	90921015	Hex Socket Head Bolt	HSB1015		1	
141	N/A	Piston Rod	Replace by NS4		1	N/A
142	80803050	Dust Seal	DH-50		1	
143	11320760	Cylinder Cover			1	
144	80800133	O Ring	G85		1	
145	80800046	O Ring	P50		1	
146	80800034	O Ring	P35		1	
147	11320780	Piston			1	
148	80804090	Wearing	84X90X25 Oiles #80		1	
149	80801080	U Packing	SKY-80 (Sakagami)		1	
150	10161161	Piston Washer			1	
151	90930412	Spring Washer	SW12		1	
152	90901225	Hex Bolt	HB1225		1	

M. Carriage Assy

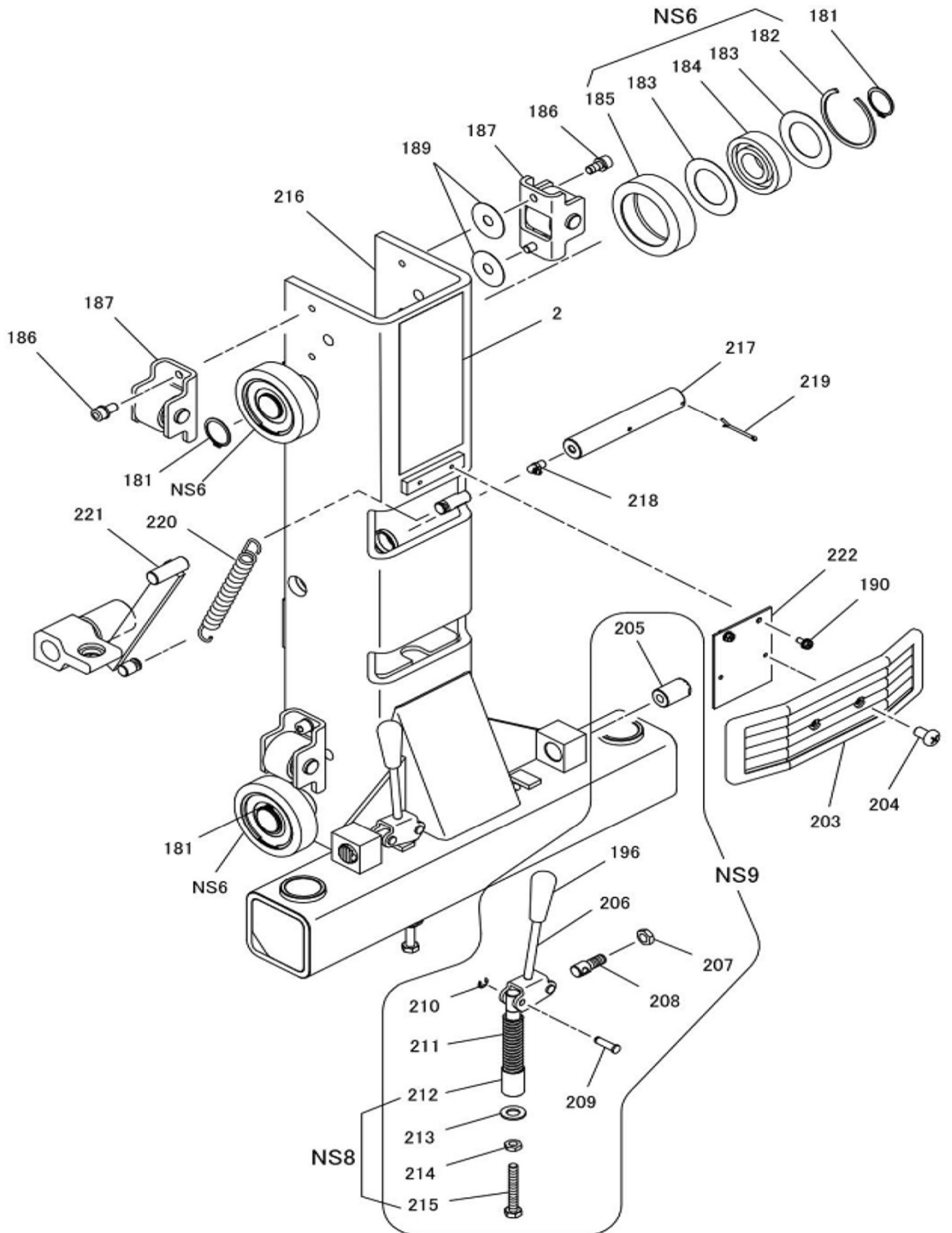


M. Carriage Assy

OSA3500N

Ill. No.	Parts No.	Parts Name	Standard	Change Date & Note	Qty /Unit	Price/ea.
NS6	75019640	Guide Roller Assy	(182~185)		4	
NS7	00098272	M. Hook Shaft Assy	(192×2·193×2·194×2·195·196)		1	
NS8	75103240	Lock Rod Assy	(212~215)		2	
NS9	75103260	Lock Link Assy	(196·205~215)		2	
8	11261820	Caution Label F	Refer to Page 26		1	
9	11261920	Caution Label	Refer to Page 26		1	
10	51311400	Function Sticker C	Refer to Page 26		1	
181	80845022	Snap Ring	RR035		4	
182	80848580	Snap Ring	BR·AR-80		4	
183	50560611	Bearing Seal			8	
184	81026307	Bearing	6307		4	
185	N/A	Guide Roller		Replace by NS6	4	N/A
186	90761020	Hex Socket Head Bolt	HSBS1020		8	
187	00099260	Side Roller			4	
188	N/A	M. Carriage (Not Available because Carriage is structural parts)			1	N/A
189	10161760	Carriage Spacer			4	
190	90790614	Hex Bolt	HBPS0614SE		2	
191	11249400	Bumper Fixing Stay			1	
192	N/A	Lowering Stop Hook		Replace by NS7	2	N/A
193	N/A	Hook Shaft Collar		Replace by NS7	2	N/A
194	90980532	Roll Pin	SRP0532		2	
195	N/A	Hook Shaft		Replace by NS7	1	N/A
196	50561801	Grip M10	M10P1. 25 (Black)		3	
197	11315710	Safety Spacer			2	
198	51311009	Safety Spring			1	
199	11315690	Safety Spring Support			1	
200	51311001	Main Safety Spring			2	
201	90930506	Spring Washer	SW06SE		2	
202	90920630	Hex Socket Head Bolt	HSB0630		2	
203	51311095	S. Door Bumper	Black		1	
204	90940610	Pan Head Screw	MSR0610SE		2	
205	11315701	Lock Piece			2	
206	04540300	Lock Link			2	
207	90930313	Hex Nut	HN12 (3) P1. 25SE		2	
208	11482400	Lock Bar			2	
209	11315621	Lock Link Pin S			4	
210	80847510	E Shape Snap Ring	E7SE		4	
211	51311040	Lock Spring			2	
212	N/A	Lock Rod		Replace by NS8	2	N/A
213	90930714	Flat Washer	PW14SE		2	
214	90930310	Hex Nut	HN10 (3) SE		2	
215	90911070	Hex Bolt	HB1070SE		2	

S. Carriage Assy



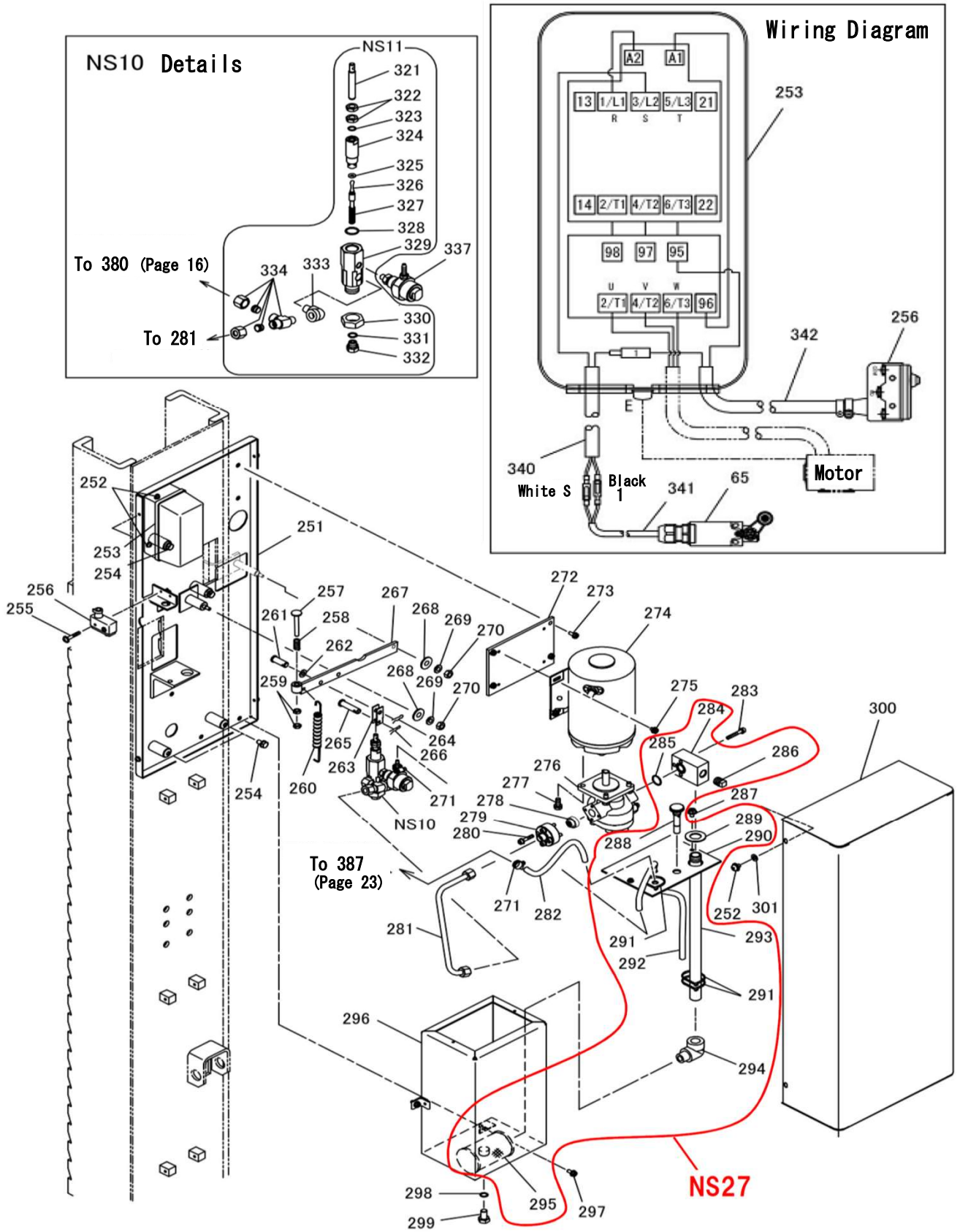
S. Carriage Assy

OSA3500N

Ill. No.	Parts No.	Parts Name	Standard	Change Date & Note	Qty /Unit	Price/ea.
NS6	75019640	Guide Roller Assy	(182~185)		4	
NS8	75103240	Lock Rod Assy	(212~215)		2	
NS9	75103260	Lock Link Assy	(196·205~215)		2	
2	11261840	Caution Label G			1	
181	80845022	Snap Ring	RR035		4	
182	80848580	Snap Ring	BR·AR-80		4	
183	50560611	Bearing Seal			8	
184	81026307	Bearing	6307		4	
185	N/A	Guide Roller		Replace by NS6	4	N/A
186	90761020	Hex Socket Head Bolt	HSBS1020		8	
187	00099260	Side Roller			4	
189	10161760	Carriage Spacer			4	
190	90790614	Hex Bolt	HBPS0614SE		2	
196	50561801	Grip M10	M10P1.25 (Black)		2	
203	51311095	S. Door Bumper	Black		1	
204	90940610	Pan Head Screw	MSR0610SE		2	
205	11315701	Lock Piece			2	
206	04540300	Lock Link			2	
207	90930313	Hex Nut	HN12(3)P1.25SE		2	
208	11482400	Lock Bar			2	
209	11315621	Lock Link Pin S			4	
210	80847510	E Shape Snap Ring	E7SE		4	
211	51311040	Lock Spring			2	
212	N/A	Lock Rod		Replace by NS8	2	N/A
213	90930714	Flat Washer	PW14SE		2	
214	90930310	Hex Nut	HN10(3)SE		2	
215	90911070	Hex Bolt	HB1070SE		2	
216	N/A	S. Carriage (Not Available because Carriage is structural parts)			1	N/A
217	11316160	Catch Gear Shaft			1	
218	80827041	Grease Fitting	GNC1/8		1	
219	90973046	Cotter Pin	SPO345SE		1	
220	51311060	Catch Gear Spring			1	
221	00099420	Catch Gear			1	
222	11249660	Bumper Fixing Base Plate			1	

Hyd. Unit and Control etc.

(After April 2016)



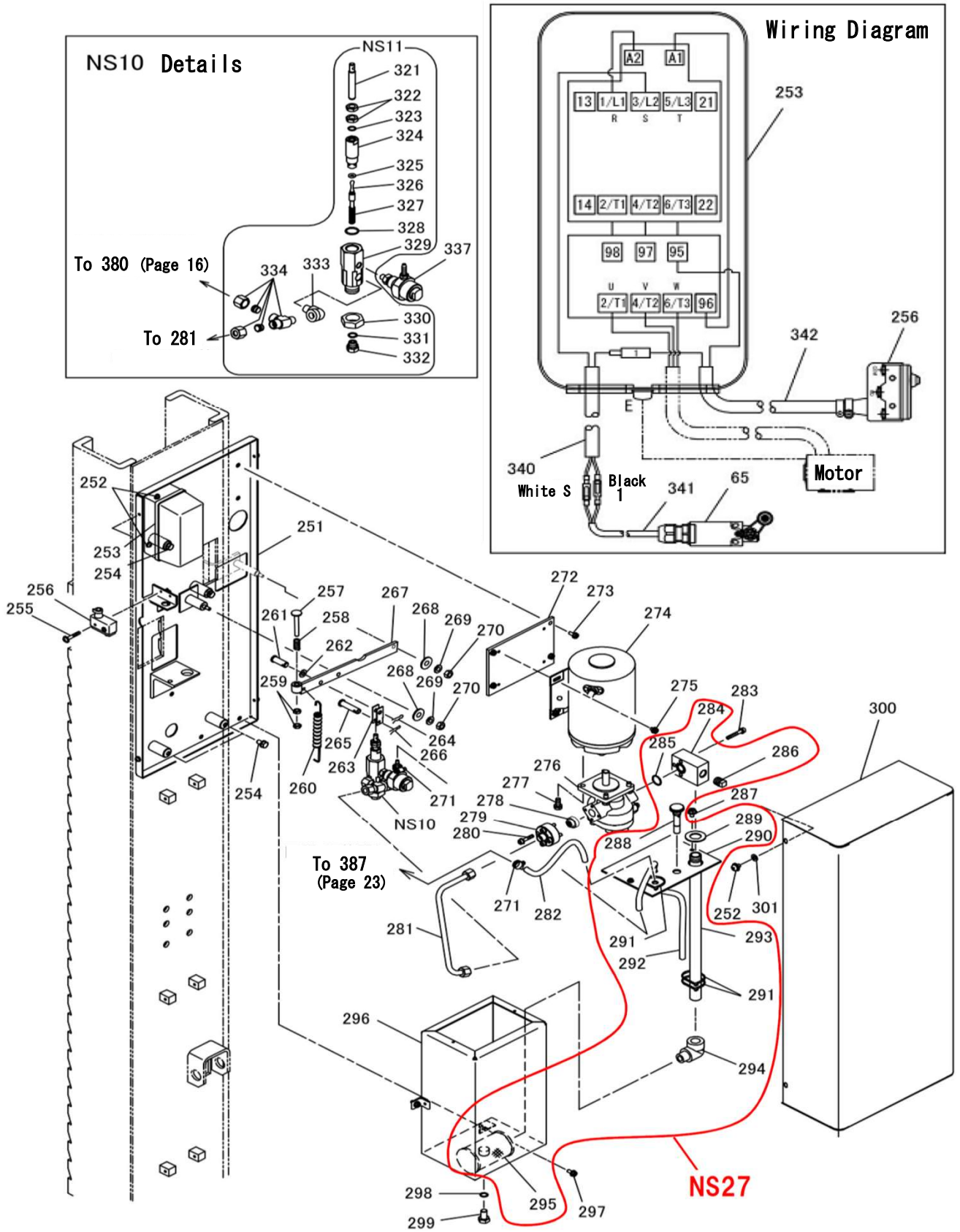
Hyd. Unit and Control etc. (After April 2016)

OSA3500N

Ill. No.	Parts No.	Parts Name	Standard	Change Date & Note	Qty /Unit	Price/ea.
NS10	04540520	Valve Complete Assy	(NS11-337)		1	
NS11	04540540	Valve Assy	(321~334)		1	
NS27	71250000	Suction Pipe Assy	(284~286·288~295)		1	
65	04552040	Upper Limit Switch Assy	D4N-2120	Omron	1	
251	04540580	Control Panel			1	
252	90780508	Pan Head Screw	MSRPS0508SE		6	
253	30820700	Magnet Contactor (MS-N11-S5)	50HZ/200V, 60HZ/200 · 220V		1	
	30820720	Magnet Contactor (MS-N11-S6)	50HZ/380 · 400 · 415V, 60HZ/400 · 440V		1	
254	90890815	Hex Bolt	HBS0815SE		4	
255	90750425	Pan Head Screw	MSRPO425SE		2	
256	80820722	Limit Switch (Z-15GD-B+0M2)	50HZ/200V, 60HZ/200 · 220V - No Cable		1	
	80820756	Limit Switch (Z-15GD-B)	50HZ/380 · 400 · 415V, 60HZ/400 · 440V - No Cable		1	
257	10162722	Switch Pin			1	
258	50562721	Switch Plunger Spring			1	
259	90930308	Hex Nut	HN08 (3) SE		2	
260	50562582	Neutrizer Spring			1	
261	10161861	Conrod Fixing Pin			1	
262	90930708	Flat Washer	PW08SE		1	
263	10281761	Valve Adjuster Joint			1	
264	90654168	Snap Pin	Nominal Size 8mm		1	
265	50501681	Forked Pin			1	
266	80654165	Snap Pin	Nominal Size 5mm		1	
267-1	04540600	Switch Lever		Before 1703001	1	
267-2	04540601	Switch Lever		After 1703002	1	
268	90930793	Flat Washer	PW6. 5X19X1. 6SE		2	
269	90930506	Spring Washer	SW06SE		2	
270	90930106	Hex Nut	HN06SE		2	
271	80825054	Hose Band	SX-W1		2	
272	11258540	Motor Fixing Plate			1	
273	90770615	Hex Bolt	HBS0615SE		4	
274	80820013	Motor (TWC4712AG) 3PH 1.5KW	50HZ/200V, 60HZ/200 · 220V		1	
	80820014	Motor (TWC4712BG) 3PH 1.5KW	50HZ/380 · 400 · 415V, 60HZ/380 · 400 · 440V		1	
275	90790610	Hex Bolt	HBPS0610SE		4	
276	80818023	Gear Pump (GPEOA1-AA60L155)	50HZ/200V, 60HZ/200 · 220V		1	
	80818000	Gear Pump (GPEOA1-AA40L155)	50HZ/380 · 400 · 415V, 60HZ/380 · 400 · 440V		1	
277	90890820	Hex Bolt	HBS0820SE		4	
278	80818531	Check Valve	V1095-001		1	
279	11317580	Pump Joint			1	
280	90760630	Hex Socket Head Bolt	HSBS0630		4	
281	75103280	Unit Hyd. Pipe Assy	With Nut and Sleeve		1	
282	11317510	Overflow Tube	Spring Hose	11X6-350	1	
283	90760640	Hex Socket Head Bolt	HSBS0640		3	
284	11317500	Suction Joint			1	
285	80800018	O Ring	P20		1	
286	80810003	Plug	P3/8		1	
287	90740508	Hex Bolt	HBPO508SE		2	
288	00043644	Level Bar Assy			1	
289	11317490	Suction Pipe Cover			1	
290	11317470	Tank Cover			1	
291	80825291	Plastic Strap	CV-150		4	
292	11317520	Oil Returning Tube	Spring Hose	11X6-560	1	
293	11250000	Suction Pipe			1	
294	80810704	Male & Female Elbow	STE1/2SE		1	
295	80818951	Strainer	SS-40610-10		1	
296	00099481	Oil Tank			1	
297	90790615	Hex Bolt	HBPS0615SE		2	
298	80800250	O Ring	P12		1	
299	90911220	Hex Bolt	HB1220SE		1	
300	00043662	Control Panel Cover			1	
301	90930705	Flat Washer	PW05SE		4	
321	10162532	Valve Rod			1	
322	90930310	Hex Nut	HN10 (3) SE		2	
323	80800008	O Ring	P10		1	
324	10162521	Valve Housing			1	
325	80800220	O Ring	AN6227-1		1	

Hyd. Unit and Control etc.

(After April 2016)



Hyd. Unit and Control etc.

OSA3500N

Ill. No.	Parts No.	Parts Name	Standard	Change Date & Note	Qty /Unit	Price/ea.
326	11250041	Valve Plunger			1	
327	50581761	Valve Spring			1	
328	80800017	O Ring	P18		1	
329	11250020	Valve Body			1	
330	90930322	Hex Nut	HN22 (3) SE		1	
331	80800411	O Ring	JASO-1011		1	
332	11250061	Back Valve Screw			1	
333	80813102	Male and Female Elbow	HS-BC-1/4		1	
334	80817520	T Nipple	KTK10-020N	(With Nut & Sleeve)	1	
	N/A	Sleeve	HS-P2-10	Replace by 334	2	N/A
	N/A	Nut	HS-C-10	Replace by 334	2	N/A
337	04540560	Flow Control Assy			1	
340	Ask	Upper Limit Switch Cable Set S	SVCT 0.75SQX2C-250	Ask Bishamon	1	Ask
341	Ask	Upper Limit Switch Cable Set L	SVCT 0.75SQX2C-1700	Ask Bishamon	1	Ask
342	11314890	Lifting Switch Cable Set (VCTF 1.25SQX2C-300)	50HZ/200V, 60HZ/200 • 220V		1	
	11328440	Lifting Switch Cable Set (VCTF 0.75SQX2C-300)	50HZ/380 • 400 • 415V, 60HZ/400 • 440V		1	

Synchronizing Chain and Piping

★ 377-39835400 Joint Link Set

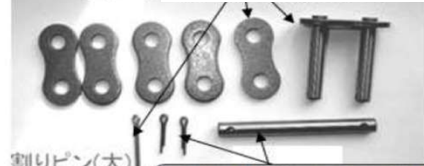
Leaf Plate (5ea.), Outer Plate, Cotter Pin (Large) for connecting to 378

NS16 : ※ Marking Parts

★ 図番377 39835400 継手リンクセット

プレート(5ヶ)・外プレート・割ピン(大) ※ 図番無し

※ 図番3 Joint link set includes Joint Pin (51311100) and 90972010 Cotter Pin (Small-プレート2ea.).

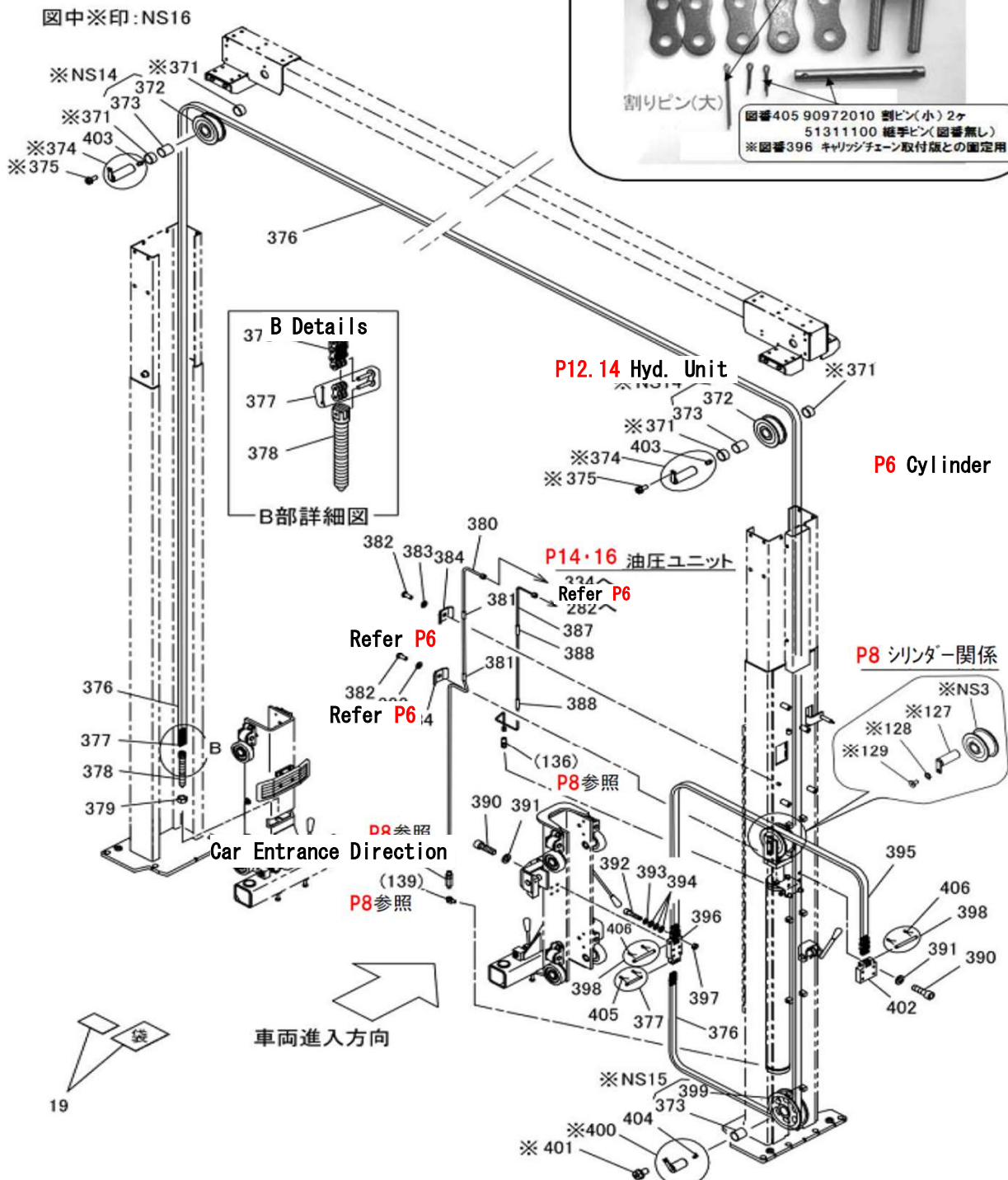


割りピン(大)

図番405 90972010 割りピン(小) 2ヶ

51311100 継手ピン(図番無し)

※ 図番396 キャラッジチェーン取付版との図定用

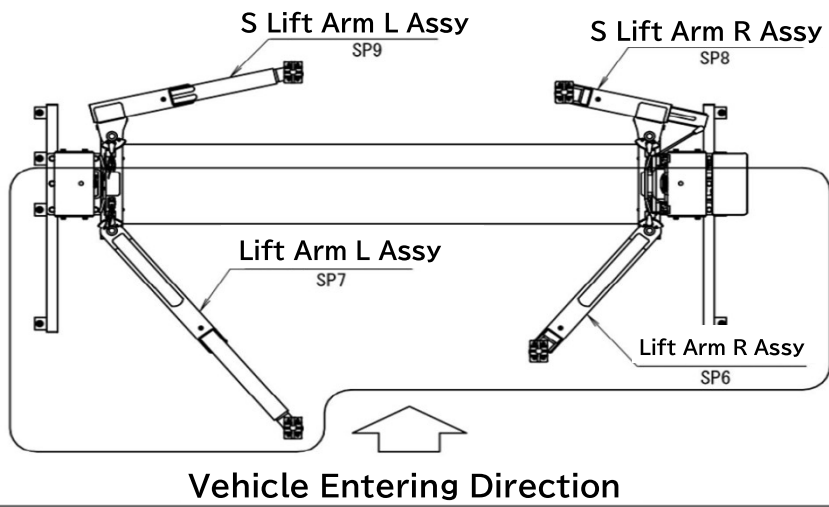


Synchronizing Chain and Piping

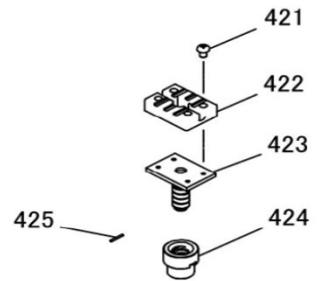
OSA3500N

k	Parts No.	Parts Name	Standard	Change Date & Note	Qty /Unit	Price/ea.
NS14	00098630	Chain Wheel B Assy	(372-373)		2	
NS15	00101650	Chain Wheel C Assy	(373-399)		1	
NS16	75103340	Chain Wheel + Shaft Set	(NS3-NS14-NS15-127~129-371-374-375-400-401)		1	
138	80818559	Fuse Valve	FS1-02-M-30-0	(Shut Off Valve)	1	
139	80813102	Male & Female Elbow	HS-BC-1/4		1	
371	11250160	Chain Wheel Collar			4	
372	N/A	Chain Wheel B		Replace by NS14	3	N/A
373	81640445	#80 Bushing	80B-4050	Oiles	4	
374	04540680	Chain Wheel Shaft B Assy	With 403 (OD Φ 40, L-119)		2	
375	90770820	Hex Bolt	HBS0820SE		2	
376	80835527	Leaf Chain Set	AL666-525L (With 377)		1	
377	39835400	Joint Link Set	For AL666	(With 405)	1	
378	11317180	Chain Adjust Screw			1	
379	90930124	Hex Nut	HN24SE		1	
380	75103300	Hyd. Pipe Assy	With Nut, Sleeve and 381		1	
381	50627500	Fixing Pipe of Hyd. Pipe			2	
382	90940615	Pan Head Screw	MSR0615SE		2	
383	90930506	Spring Washer	SW06SE		2	
384	10161371	Fixing Pipe of Hyd. Pipe			2	
387	75103320	Oil Return Pipe Assy	With Nut, Sleeve and 388		1	
388	51311120	Fixing Pipe of R6 Hyd. Pipe	Φ 7X Φ 13X50		2	
390	90921240	Hex Socket Head Bolt	HSB1240		8	
391	90930512	Spring Washer	SW12SE		8	
392	90920525	Hex Socket Head Bolt	HSB0525		2	
393	90930505	Spring Washer	SW05SE		2	
394	90930705	Flat Washer	PW05SE		6	
395	80837955	Leaf Chain (With 398)	AL866-55L		1	
396	11316500	Carriage Chain Fixing Plate			1	
397	90930105	Hex Nut	HN05SE		2	
398	51311090	Chain Fitting Pin	For AL866	With 406	2	
399	N/A	Chain Wheel C		Replace by NS15	1	N/A
400	04540720	Chain Wheel Shaft C Assy	OD- Φ 40, L-72	With 404	4	
401	90770815	Hex Bolt	HBS0815SE		4	
402	11316480	Post Chain Fixing Plate			1	
403	80827021	Grease Fitting	GNA1/8		2	
404	80827041	Grease Fitting	GNC1/8		1	
405	90972010	Cotter Pin	SP0210	Included in 377	2	
406	90972516	Cotter Pin	SP02.515SE	Included in 398	4	
19	38000656	Chain & Cable Replacing Schedule Label			1	

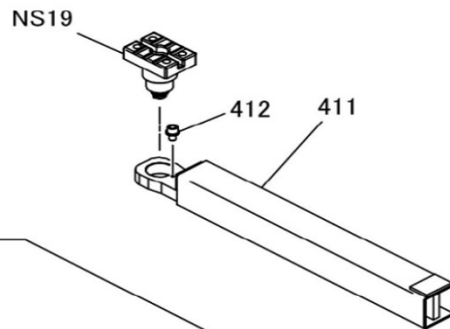
Lift Arm R·L and Parts



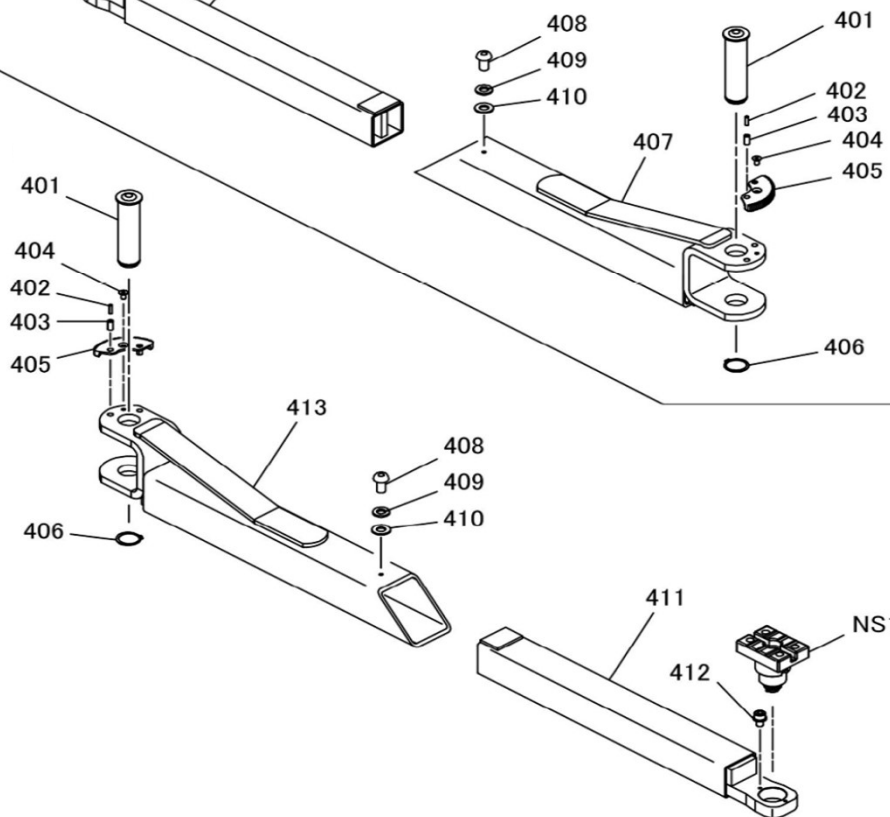
NS19 - Adjustable Supporter Assy



SP6 Lift Arm R Assy



SP7 Lift Arm L Assy



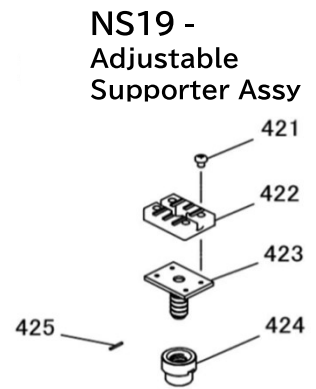
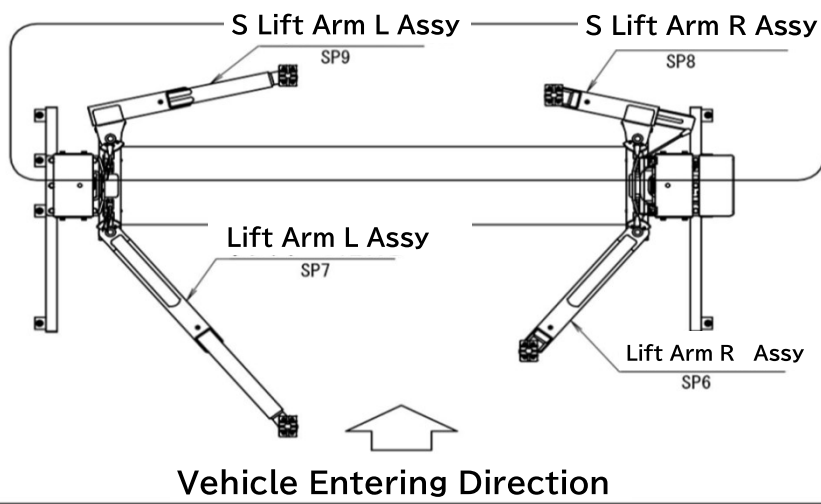
Lift Arm R·L and Parts

OSA3500N

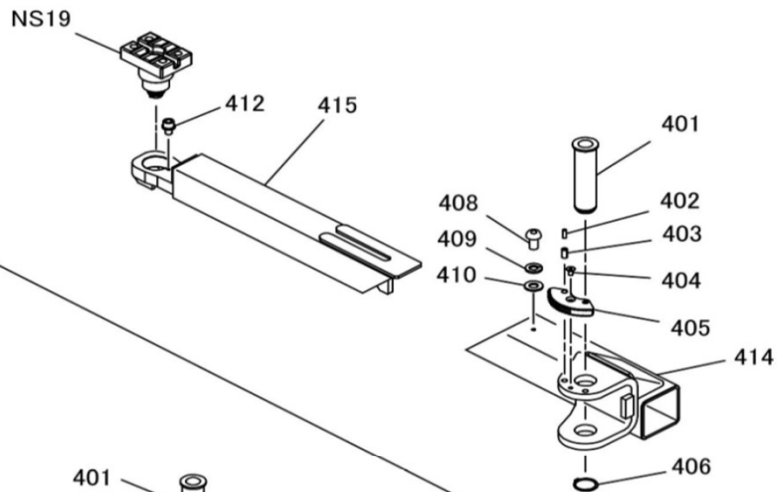
Ill.No.	Parts No.	Parts Name	Standard	Change Date & Note	Qty /Unit	Price/ea.
SP6	30318620	Lift Arm R Assy	(401~412・NS19)		1	
	04548340	Lift Arm R Assy	(401~412)	NS19 Not Included	1	Ask
SP7	30318660	Lift Arm L Assy	(401~406・408~413・NS19)		1	
	04548400	Lift Arm L Assy	(401~406・408~413)	NS19 Not Included	1	Ask
NS19	00318640	Adjustable Supporter Assy	(421~425)		2	
401	00099660	Lift Arm Pin			2	
402	90980620	Roll Pin	SRP0620		4	
403	90981020	Roll Pin	SRP1020		4	
404	91000815	Socket Head Cap Bolt	HSF0815		2	
405	11316722	Lock Gear			2	
406	80845025	Snap Ring	RR040		2	
407	04548360	Lift Arm R			1	
408	91040815	Socket Head Cap Bolt	HSR0815		2	
409	90930508	Spring Washer	SW08SE		2	
410	90930708	Flat Washer	PW08SE		2	
411	04548380	L Slide Arm			2	
412	90760610	Socket Head Cap Bolt	HSBS0610		2	
413	04548420	Lift Arm L			1	
421	90940810	Round Head Screw	MSR0810SE		8	
422	11328460	Support Pad	Shore 80	Export Model	2	
423	00099682	Adjustable Supporter			2	
424	11319951	Adjustable Nut			2	
425	90980430	Roll Pin	SRP0430		2	
(Option)						
	51300501	Support Pad (Deep Groove)			2	



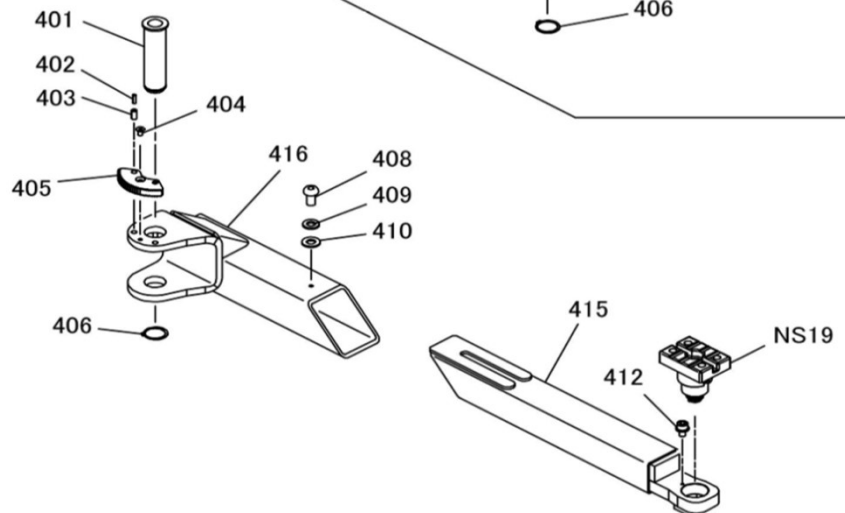
S. Lift Arm R·L and Parts



SP8
S. Lift Arm R Assy



SP9
S. Lift Arm L Assy



S. Lift Arm R·L and Parts

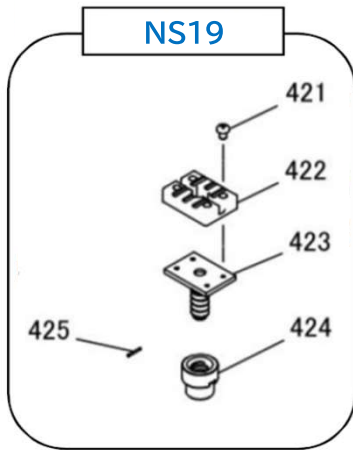
OSA3500N

Ill. No.	Parts No.	Parts Name	Standard	Change Date & Note	Qty /Unit	Price/ea.
SP8	30318680	S Lift Arm R Assy	(401~406 · 408~410 · 412 · 414 · 415 · NS19)	After Sept. 2005	1	
	04548440	S Lift Arm R Assy	(401~406 · 408~410 · 412 · 414 · 415)	NS19 Not Included	1	Ask
SP9	30318700	S Lift Arm L Assy	(401~406 · 408~410 · 412 · 415 · 416 · NS19)	After Sept. 2005	1	
	04548500	S Lift Arm L Assy	(401~406 · 408~410 · 412 · 415 · 416)	NS19 Not Included	1	Ask
NS19	00318640	Adjustable Supporter Assy	(421~425)		2	
401	00099660	Lift Arm Pin			2	
402	90980620	Roll Pin	SRP0620		4	
403	90981020	Roll Pin	SRP1020		4	
404	91000815	Socket Head Cap Bolt	HSF0815		2	
405	11316722	Lock Gear			2	
406	80845025	Snap Ring	RR040		2	
408	91040815	Socket Head Cap Bolt	HSR0815		2	
409	90930508	Spring Washer	SW08SE		2	
410	90930708	Flat Washer	PW08SE		2	
412	90760610	Socket Head Cap Bolt	HSBS0610		2	
414	04548460	S. Lift Arm R			1	
415	04548481	S. Slide Arm			2	
416	04548520	S. Lift Arm L			1	
421	90940810	Round Head Screw	MSR0810SE		8	
422	11328460	Support Pad	Shore 80	Export Model	2	
423	00099682	Adjustable Supporter			2	
424	11319951	Adjustable Nut			2	
425	90980430	Roll Pin	SRP0430		2	
(Option)						
	51300501	Support Pad (Deep Groove)			2	

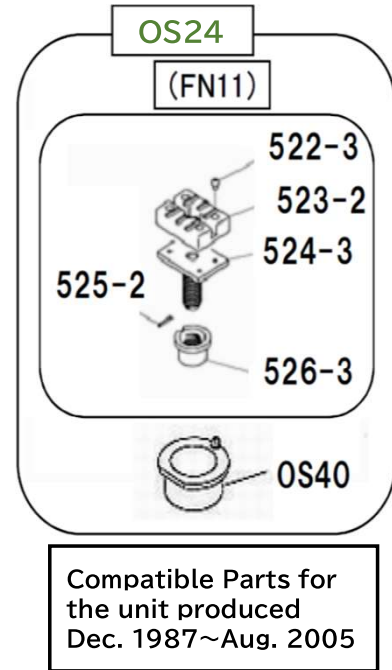


History and Applicable Adjustable Supporter Assy (Information for Reference)

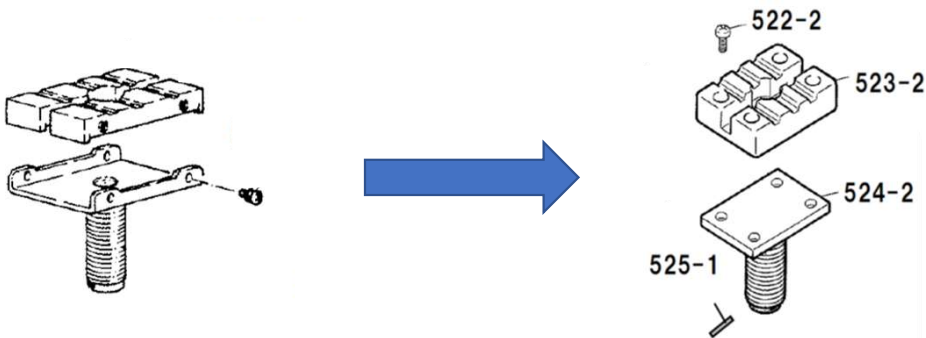
(Current) After Sept. 2005



Dec. 1987 ~ Aug. 2005



Reference Information of Very Old Adjustable Supporter



Before June 1992

※ Not Available

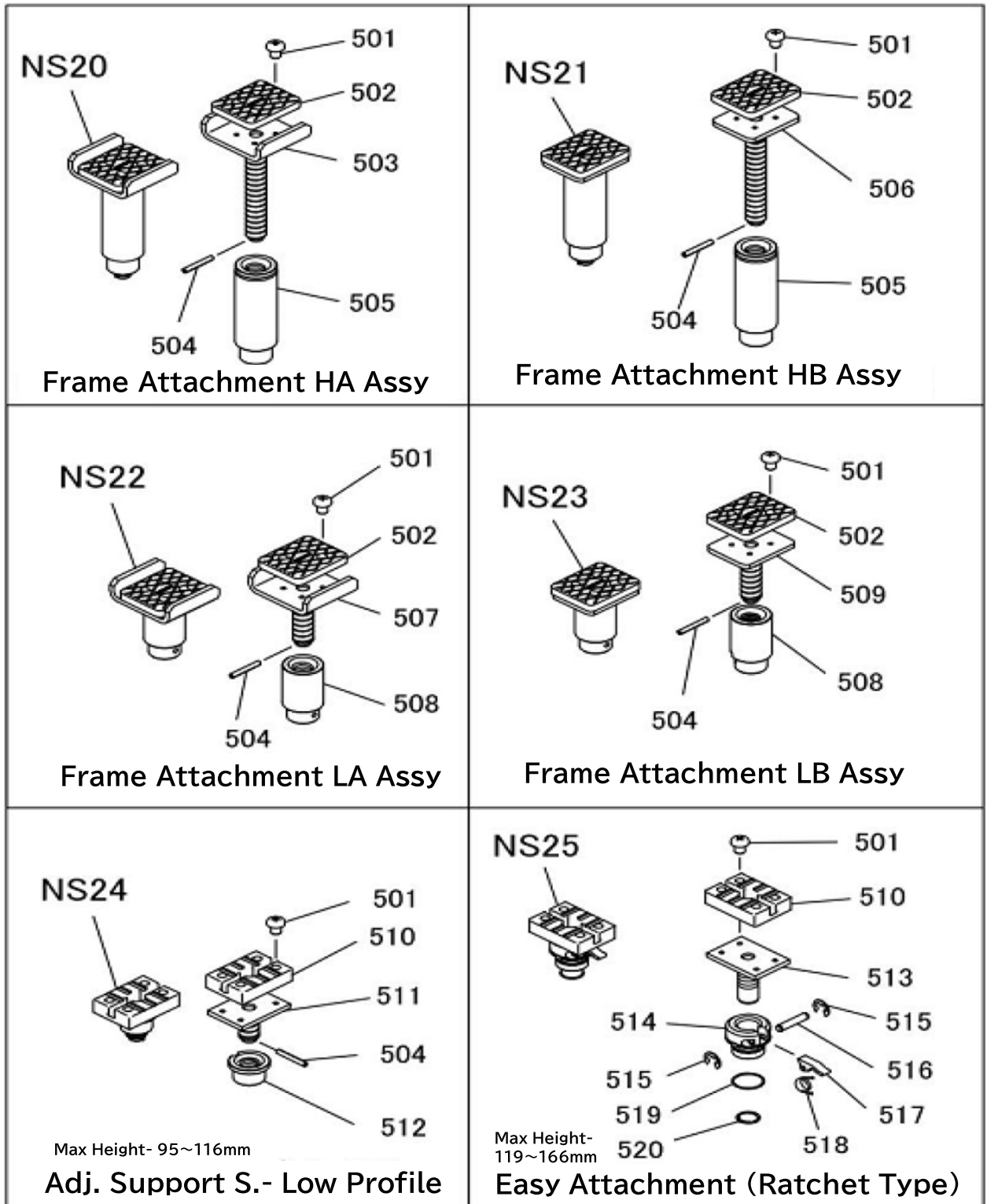
July 1992 ~ Aug. 2005

Can be replaced by OS24

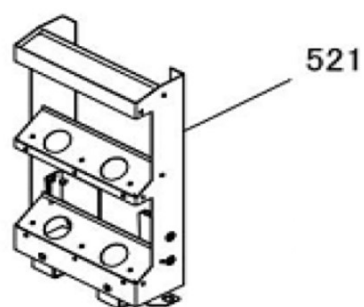
History and Applicable Adjustable Supporter Assy

Ill. No.	Parts No.	Parts Name	Standard	Change Date & Note	Qty/Unit			Price/ea.
					OSP3000	OSP3500 OSA3500	NSP3500 NSA3500	
NS19	00318640	Adjustable Supporter Assy	(421~425)	After Sept. 2005		4		
OS24	00120410	Adjustable Supporter Assy	FN11 + OS40	Nov. 1987~Aug. 2005		4		
		Note : If Shallow groove Pad is required, Specify "With Shallow Groove Pad"						
OS40	00100090	Adjustable Nut Support		For the Arm Before Aug. 2005		4		
FN11	00140880	Adjustable Support Assy		For the Arm Before Aug. 2005		4		
421	90940810	Round Head Screw	MSR0810SE			8		
422	11328460	Support Pad	Shore 80	Export Model		2		
423	00099682	Adjustable Supporter				2		
424	11319951	Adjustable Nut				2		
425	90980430	Roll Pin	SRP0430			2		
522-2	90940812	Round Head Screw	MSR0812SE	July 1992~Aug. 2005		16		
522-3	90940810	Round Head Screw	MSR0810SE	After Sept. 2005		16		
523-2	11328460	Support Pad (New)	HS80 - Shallow Groove			4		
524-2	N/A	Adjustable Support	Replace by OS24	Before Aug. 2005		4		N/A
524-3	00099682	Adjustable Support		After Sept. 2005		4		
525-1	90980440	Roll Pin	SRP0440	Before Aug. 2005		4		
525-2	90980430	Roll Pin	SRP0430	After Sept. 2005		4		
526-3	11314980	Adjustable Nut S		After Sept. 2005		4		

Optional Frame Attachment (Truck Adaptor)



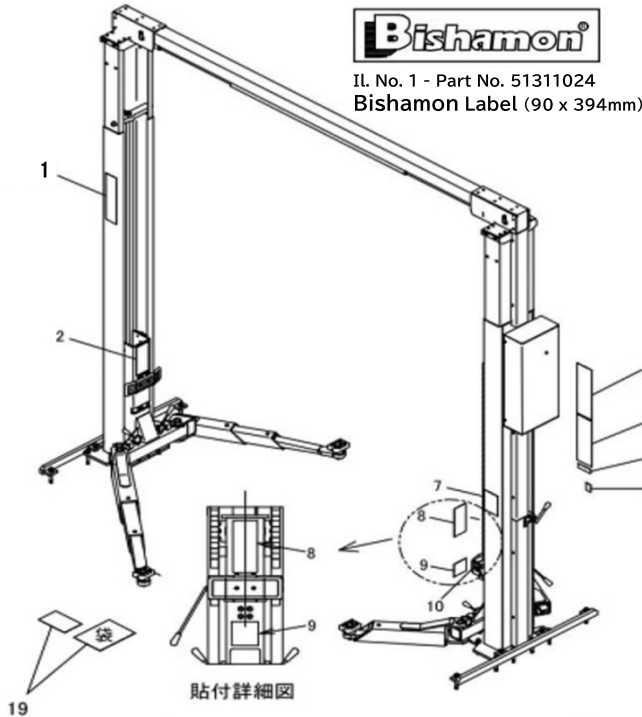
Frame Attachment Holder



Optional Frame Attachment (Truck Adaptor)

Ill. No.	Parts No.	Parts Name	Standard	Change Date & Note	Qty/Unit			Price/ea.
					OSP3000	OSP3500 OSA3500	NSP3500 NSA3500	
NS20	04541281	Frame Attachment HA Assy	(501~505)			4		
501	90940810	Round Head Screw	MSR0810SE			16		
502	50564212	Support Pad				4		
503	04541301	Adjustable Support HA	Replace by NS20			4		
504	90980430	Roll Pin	SRP0430			4		
505	04541321	Supporter	Replace by NS20			4		
NS21	04541341	Frame Attachment HB Assy	(501・502・504~506)			4		
501	90940810	Round Head Screw	MSR0810SE			16		
502	50564212	Support Pad				4		
504	90980430	Roll Pin	SRP0430			4		
505	04541321	Supporter	Replace by NS20			4		
506	04541361	Adjustable Support HB	Replace by NS20			4		
NS22	04541380	Frame Attachment LA Assy	(501・502・504・507・508)			4		
501	90940810	Round Head Screw	MSR0810SE			16		
502	50564212	Support Pad				4		
504	90980430	Roll Pin	SRP0430			4		
507	04541400	Adjustable Support LA				4		
508	11251160	Adjustable Nut C				4		
NS23	04541420	Frame Attachment LB Assy	(501・502・504・508・509)			4		
501	90940810	Round Head Screw	MSR0810SE			16		
502	50564212	Support Pad				4		
504	90980430	Roll Pin	SRP0430			4		
508	11251160	Adjustable Nut C				4		
509	04541440	Adjustable Support LB				4		
NS24	Ask	Adjustable Support S Assy	(501・504・510~512)	Ask Bishamon		4	Ask	
501	90940810	Round Head Screw	MSR0810SE			16		
504	90980430	Roll Pin	SRP0430			4		
510	11328460	Support Pad	Shore 80	Export Model		4		
511	00100080	Adjustable Support S				4		
512	11314980	Adjustable Nut S				4		
NS25	Ask	Easy Attachment Assy	(501・510・513~520)	Ask Bishamon		4	Ask	
501	90940810	Round Head Screw	MSR0810SE			16		
510	11328460	Support Pad	Shore 80	Export Model		4		
513	N/A	Adjustable Support N	Replace by NS25			4	N/A	
514	N/A	Adjustable Nut N	Replace by NS25			4	N/A	
515	80847506	E Shape Snap Ring	E5SE			8		
516	10176340	Adjust Hook Shaft				4		
517	10176320	Adjust Hook				4		
518	10176360	Adjust Hook Spring				4		
519	80800125	O Ring	G45			4		
520	80845230	Snap Ring	ISTW30			4		
521	04541060	Attachment Holder Assy				2		

Caution Labels OSA3500N

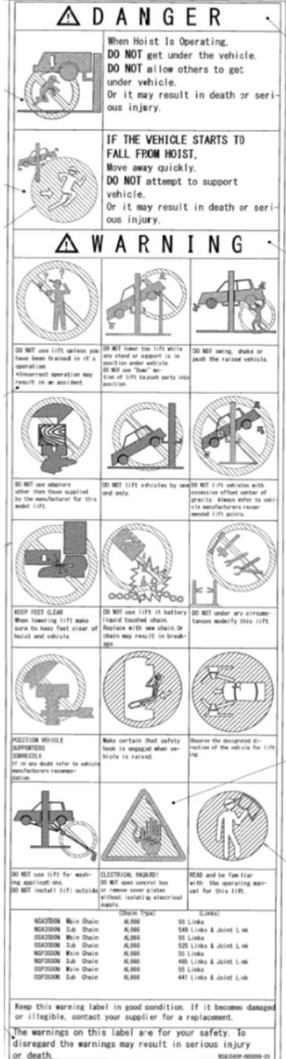


Bishamon®
 IL No. 1 - Part No. 51311024
 Bishamon Label (90 x 394mm)

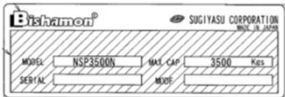
IL No. 4 - Part No. 11261880
 Caution Label I



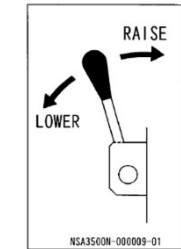
IL No. 3 - Part No. 11261900
 Caution Label M



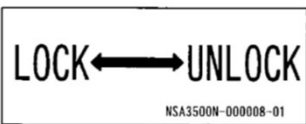
IL No. 5 - Part No. Ask Bishamon
 Serial Plate



IL No. 6 - Part No. 51311420
 Function Sticker D



IL No. 10 - Part No. 51311400
 Function Sticker C



Part No. 38000656
 Chain & Cable Replacing Schedule Label

Chain	Cable
Washing/Outdoor use Every 2 Years	Every 4 Years
No Washing/Indoor use Every 4 Years	

IL No. 8 - Part No. 11261820
 Caution Label F (Main Post Side)

IL No. 2 - Part No. 11261840
 Caution Label G (Sub Post Side)

IL No. 9 - Part No. 11261920
 Caution Label

IL No. 7 - Part No. 11261860
 Caution Label H

Bishamon

 **Sugiyasu Corporation**
3-21, 4-Chome, Hongo-Cho, Takahama City,
Aichi, Japan 444-1394
Tel. 81-566-53-1126, Fax. 81-566-53-1844
<http://www.bishamon.co.jp/>